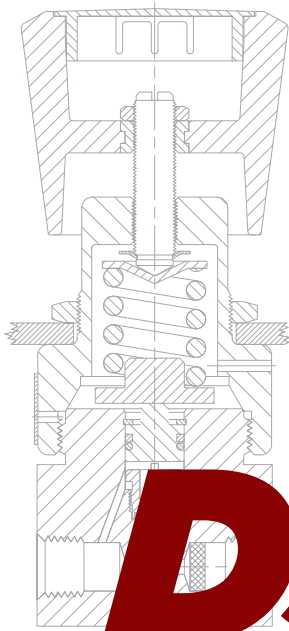


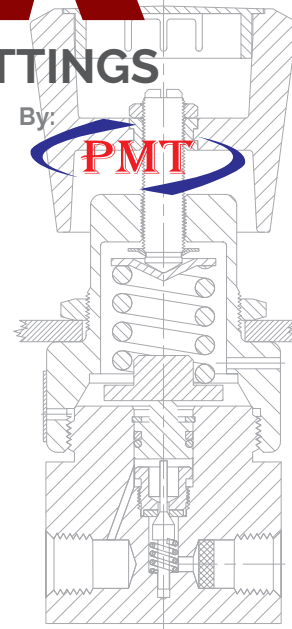


Decide with Confidence
DUNS NO. : 86-917-7745



DS-LOK

INSTRUMENTATION VALVES AND FITTINGS



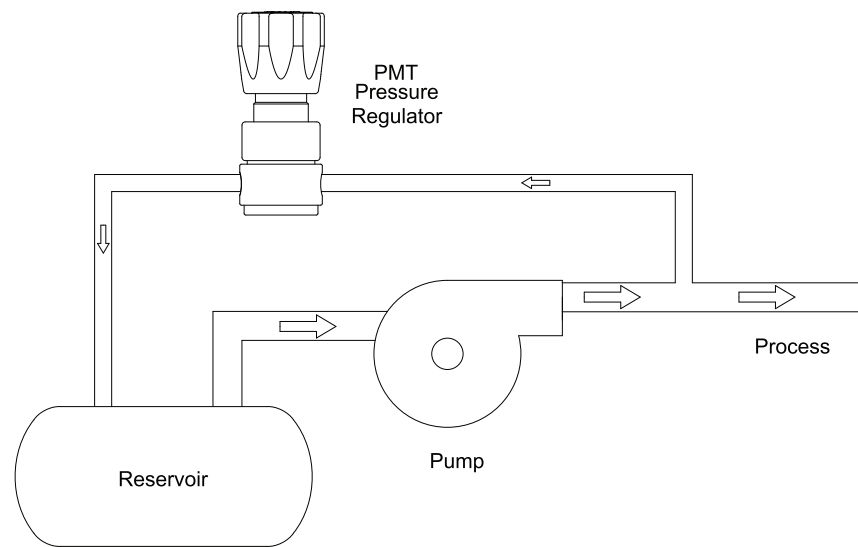
- Maximum inlet Pressure 6,000 psig
- Outlet Pressure 0-2500 psig
- Brass, 316 stainless steel, Monel Materials
- 1/4" NPTF inlet and outlet gauge port Connection

PRESSURE REGULATOR

PRESSURE REGULATOR

Introduction of the Applications

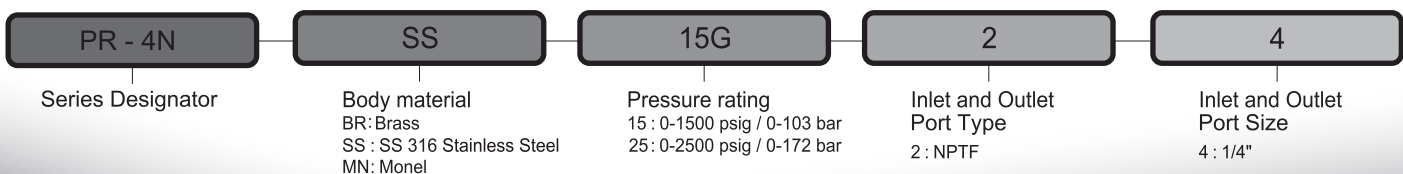
A pressure reducing regulator is positioned where the high pressure of a medium needs to be reduced and maintained to a lower and stable level. By turning the adjustment handle, the tension of range spring would be changed so as to control the outlet pressure of the regulator. When the system pressure is lower than the set pressure, the regulator is shut off to obstruct the flow. Pressure regulator can be used on Industrial Equipment and General purpose test stands. When the system pressure is higher than the set pressure, they compress the inner spring so as to allow the medium flowing through to exhaust the excess pressure of the system.



Features & Benefits

- Compact design
- Piston sensed design is safe and reliable
- Available with a variety of porting and materials options
- Choice of stainless steel or brass construction
- Venting model is available
- Economical
- Adjustable stop limits maximum outlet pressure
- 316 Stainless steel or Brass as standard materials
- It is easy to install and maintain due to light weight and small size

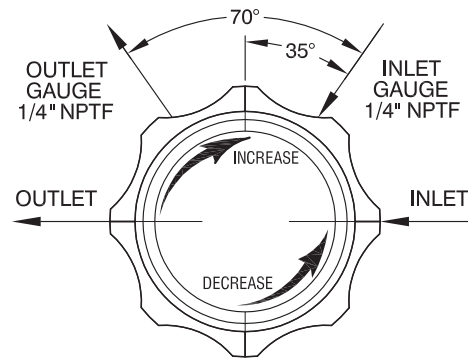
How to Order



PRESSURE REGULATOR

Materials of construction

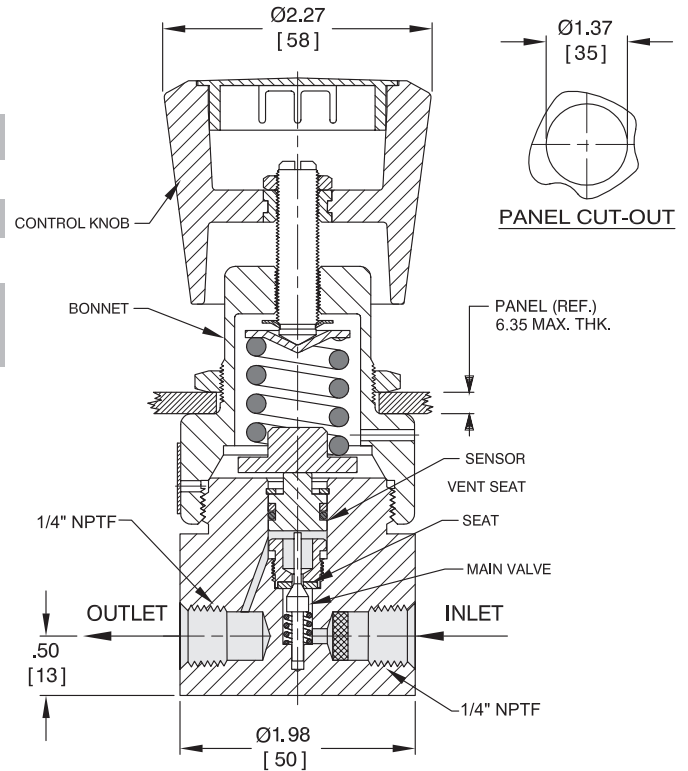
Description	Materials Specification
Body	Brass , 316 Stainless Steel
Bonnet	Brass , 316 Stainless Steel
Seat	PTFE / PEEK
O-Ring	Viton
Back-up Ring	PTFE
Handle	Aluminium
Cap	Plastic
Main Spring	Steel
Remaining other Parts	Brass , 316 Stainless Steel



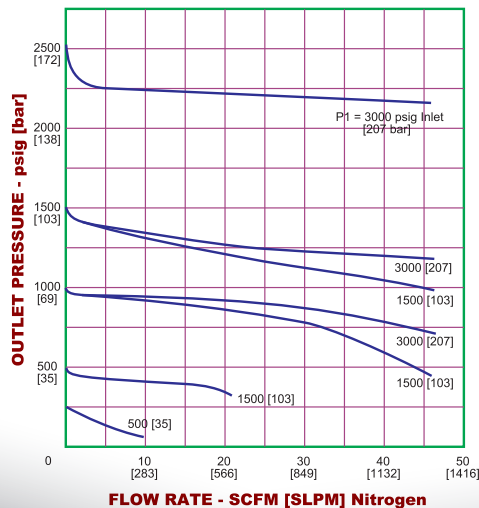
Technical Data

Pressure rating per criteria of ANSI/ASME B31.3

Maximum Inlet Pressure	6,000 psig / 414 bar
Outlet Pressure Range	0-2,500 psig / 0-172 bar
Design Proof Pressure	150% Maximum rated
Maximum Operating Torque	25 in-bl / 2.8 N.m
Flow Capacity	Non-venting : $C_v = 0.06$ Venting : $C_v = 0.15$
Connections	1/4" NPTF inlet and outlet, inlet and outlet gauge ports



Regulator Flow Chart





DS-LOK

INSTRUMENTATION VALVES AND FITTINGS



Valves

- Needle Valves
- Manifold Valves
- In Line Check Valve
- Proportional Relief Valves
- Instrument Ball Valves
- Mono Flange Valves
- Integral Block & Bleed Valves
- Bleed & Purge Valves
- Thermowells
- Pressure gauge Accessories

Fittings

- Tube Fittings
- Pipe Fittings
- High Pressure- Pipe Fittings
- Hydraulic Fittings
(DIN 2353, JIC Fittings, ORFS Fittings)

Forged Steel Valves

- Forged Steel Globe Valves (Cryogenic Available)
- Forged Steel Gate Valves (Cryogenic Available)
- Forged Steel Lift check Valves
- Forged Steel Ball Valves (Cryogenic Available)