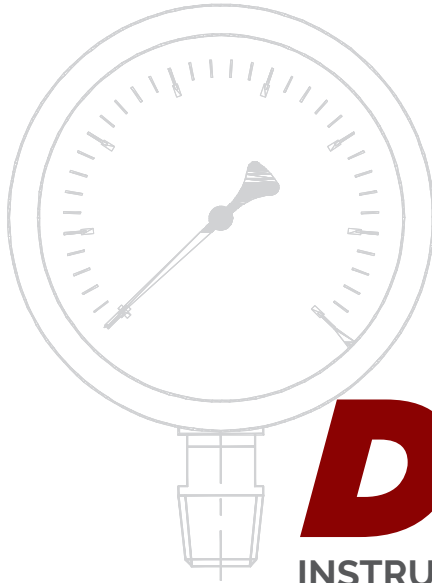


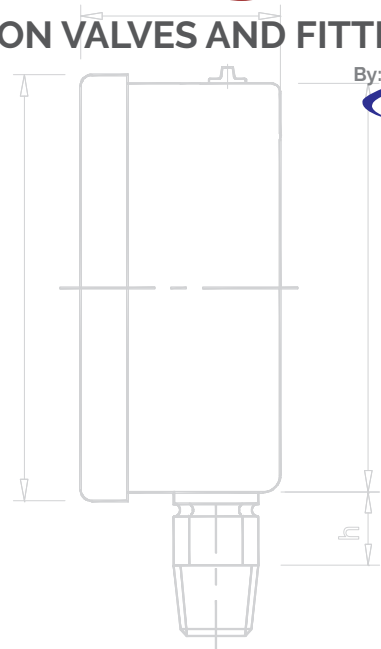


Decide with Confidence  
DUNS NO. : 86-917-7745



# DS-LOK

INSTRUMENTATION VALVES AND FITTINGS



- NPT/BSP, Threads
- Manufacturing Standard EN-837 / IS 3624
- Dial size : 63mm, 100mm, 150mm & 200mm

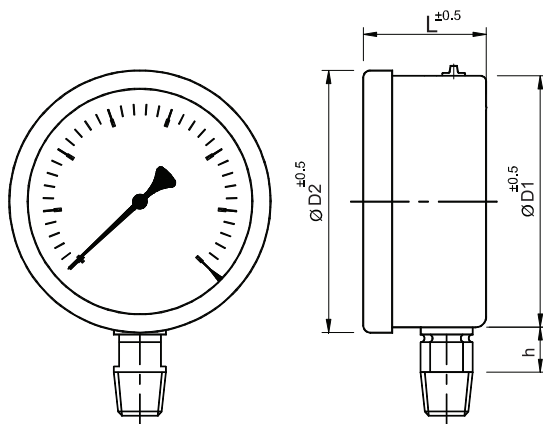
## **PRESSURE GAUGE**

## Glycerin Filled Pressure Gauges

Glycerin Filled Pressure Gauges are ideal for dampening the effect of vibration & pulsation. it also lubricate the movement & internal part which extends the life of gauge. it enhance the reliability and integrity of measuring system for long periods under extreme operating condition.

### APPLICATION

Air compressor, Hydraulic Presses, Pump, Industrial Power Plants, Marine Engine, Pipelines and Transmission Stations where Vibrations & Pulsation are destructive factors.



Size	D1	D2	L	h
2.5" (63mm)	62	68	31	15
4" (100mm)	99	108	48	15
6" (150mm)	152	165	54	20
8" (200mm)	203	216	60	20

\* ALL DIMENSIONS ARE IN MM

### SPECIFICATION

Dial size : 63mm, 100mm, 150mm & 200mm

Case & Bezel (IP-65) : SS 304, Crimp type /Snap Action Bayonet type  
& for 250mm Die cast aluminum.

Accuracy :  $\pm 1\%$  of full scale

Movement : SS 304 / Brass

Pressure Element : SS 316 (=70bar 'C' type >70 bar Coil type)

Socket : SS 304 / SS 316 / Brass (63mm)

Dial : Aluminum white painted with 270 degree black scale marking

Pointer : Aluminum / brass with black finish

Window : Acrylic / Safety glass

Blow out Protection : On top at 0.6 kg/cm<sup>2</sup>

Over load Protection : 125% of f.s.d For = 150 kg/cm<sup>2</sup>  
115% of fs.d for > 150kg/cm<sup>2</sup>

Mounting : Stem (bottom) , Surface, panel

Mounting, Flush panel ( Bracket type)

Connection : 1/4" , 3/8" , 1/2" BSP/NPT(M)

Scale Range : Vacuum , Compound & Pressure up to 1400 kg/cm<sup>2</sup>

Joint : Argon arc welded

Manufacturing Standard : EN-837 / IS 3624

Ambient Temperature : 0° C to + 60° C

## Digital Pressure Gauges

Cannot measure pressure with fine precision by mechanical gauges, switch to Digital Pressure Gauges for measure pressure more accurately & precisely. Get accuracy upto six times more compared to analog gauges and high resolution with least count upto 0.001 kg/cm<sup>2</sup> / bar. Ideal for laboratory use, pressure gauge calibration and applications requiring high accuracy, precision and repeatability.

### LOW COST DIGITAL PRESSURE GAUGE

Ideal for Replacing Analog Gauges

#### Features

Low Cost

Accuracy <  $\pm 0.5\%$  F.S.

Pressure Ranges upto 700 bar

Measurement Units: PSI, BAR, kg/cm<sup>2</sup>

Available Ready Stock

#### Other Specifications

Over Range Protection: 2X Rated Pressure

Burst Pressure: 5X or 20,000 PSI whichever is less

Pressure Cycles: >100 Million

Operating (Ambient): -10°C to 60°C

Storage: -20°C to 70°C

Display: 0.6 LCD display and blue Backlight

Power 9 Volt Alkaline Battery

Automatic Power Off 5 minutes

Battery Life: about 3.5 years



### Pressure Ranges

-1 to 3 bar, -1 to 5 bar, -1 to 25 bar, -1 to 35 bar, -1 to 100 bar, -1 to 350 bar, -1 to 700 bar

### HIGH ACCURACY DIGITAL PRESSURE GAUGE

Ideal for Calibration and High Accuracy Applications

#### Features

3" / 4" dial size

High Accuracy, High Resolution, High Precision

0.1%, 0.075%, 0.05% F.S. Accuracy

Selectable Units: kg/cm<sup>2</sup>, bar, psi, mmhg, mmwc, kpa, mbar

Wetted parts SS316

Ranges from 0-1 bar upto 700 bar, vacuum & compound

Customized Pressure Ranges

Accessories: Pulsation Dampner, Syphons, Diaphragm Seals, Gauge Cocks, Gauge Savers

### Pressure Ranges

0-1, 0-2, 0-7, 0-10, 0-20, 0-35, 0-70, 0-100, 0-200, 0-350, 0-400, 700 kg/cm<sup>2</sup> or bar

-1x0 (vacuum) & compound ranges -1x7, -1x20, -1x35 bar / kg/cm<sup>2</sup>

#### Note

Or any custom range as required. Also available in mmwc ranges



# **DS-LOK**

INSTRUMENTATION VALVES AND FITTINGS



## **Valves**

- Needle Valves
- Manifold Valves
- In Line Check Valve
- Proportional Relief Valves
- Instrument Ball Valves
- Mono Flange Valves
- Integral Block & Bleed Valves
- Bleed & Purge Valves
- Thermowells
- Pressure gauge Accessories

## **Fittings**

- Tube Fittings
- Pipe Fittings
- High Pressure- Pipe Fittings
- Hydraulic Fittings  
(DIN 2353, JIC Fittings, ORFS Fittings)

## **Forged Steel Valves**

- Forged Steel Globe Valves (Cryogenic Available)
- Forged Steel Gate Valves (Cryogenic Available)
- Forged Steel Lift check Valves
- Forged Steel Ball Valves (Cryogenic Available)