



Decide with Confidence  
DUNS NO. : 86-917-7745



# DS-LOK

INSTRUMENTATION VALVES AND FITTINGS

By: 

## Bleed Valves

- Working pressures up to 6,000 psig (413 bar)
- Temperatures up to 850°F (454°C)
- 316 stainless steel, carbon steel, alloy 400, or alloy C-276 materials
- Male NPT or ISO Thread end connection.

## Purge Valves

- Working pressures up to 4,000 psig (275 bar)
- Temperatures up to 600°F (315°C)
- 316 stainless steel, brass, or carbon steel materials.
- Male/female NPT and ISO

# BLEED AND PURGE VALVE

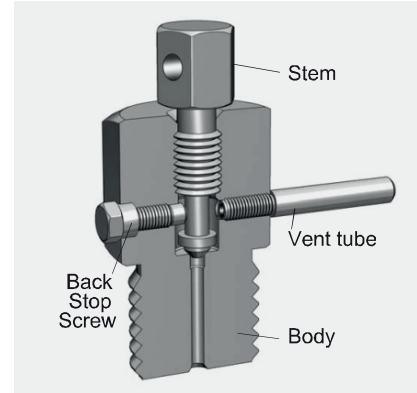
# BLEED VALVES

## Applications

Bleed valves can be used on instrument devices such as multi-valve manifolds or gauge valves to vent signal line pressure to atmosphere before removal of an instrument or to assist in calibration.

## Features

- Pressure rating up to 6,000psi(413bar)
- Stem is Hard Chrome Plated for maximum service life.
- Back stop screw prevents accidental remove of stem.
- Male NPT or ISO Thread end connection.
- Compact for convenient installation.
- Vent tube directs excess liquid or gas from system lines.
- Compact design.
- Optional T-bar handle for wrench-less actuation.
- 100% factory tested

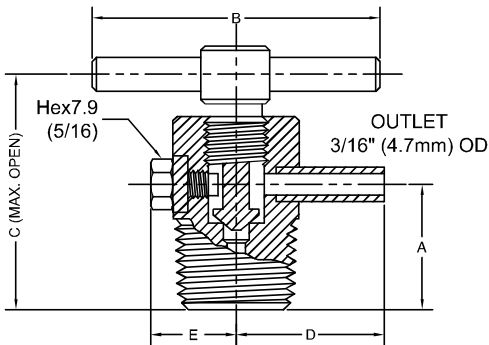


## Materials of construction

Description	Body Materials		
	Grade / ASTM Specification		
Body *	316 SS	Carbon Steel	Alloy 400
Stem †	316 / A479	Carbon Steel ‡	400 / B164
Back Stop Screw	316 / A479		400 / B164
Vent Tube	316 / A213		400 / B165

## Technical Data

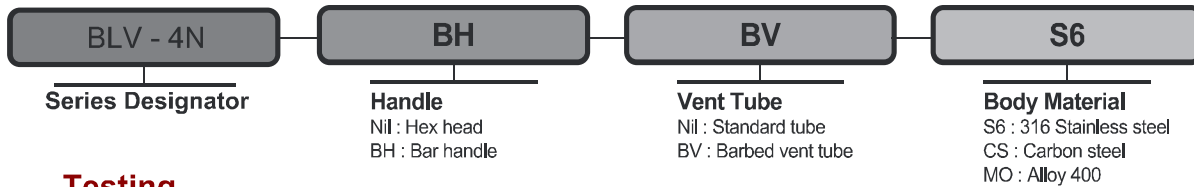
Material	Temperature Rating	Pressure Rating
S316	-65 to 850°F (-54 to 454°C)	10,000psi(689bar) At 100°F(38°C)
Carbon Steel	-20 to 450°F (-29 to 232°C)	
Alloy 400	-65 to 500°F (-54 to 260°C)	



## Dimensions table

Basic Part Number	Orifice (Cv)	Inlet End Connection	Dimensions											
			A		B		C		D		E		Hex.	
			in.	mm	in.	mm	in.	mm	in.	mm	in.	mm	in.	mm
-2N		1/8 Male NPT	0.75	19.1			1.61	41.0	0.94	23.9	0.56	14.3	5/8	15.8
-4N		1/4 Male NPT	0.75	19.1			1.61	41.0	0.94	23.9	0.56	14.3	5/8	15.8
-6N	3.2	3/8 Male NPT	0.87	22.1	2.0	50.8	1.73	44.0	1.03	26.1	0.59	15.1	7/8	22.2
-8N	(0.25)	1/2 Male NPT	0.87	22.1			1.73	44.0	1.03	26.1	0.59	15.1	7/8	22.2
-4U		SAE 7/16-20	0.77	19.6			1.63	41.5	1.03	26.1	0.59	15.1	7/8	22.2
-8U		SAE 3/4-16	0.82	20.8			1.68	42.7	1.03	26.1	0.59	15.1	7/8	22.2

## How to Order :-



## Testing

- Each valve is tested with nitrogen @1000psig(69bar) to max leak rate of 0.1 SCCM.
- Hydrostatic shell test is performed at 1.5 times the working pressure as an option.
- Other tests are available upon request

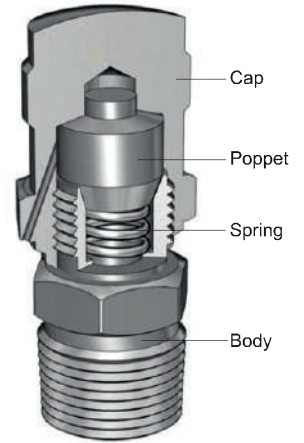
# PURGE VALVE

## Applications

Purge valves are manual bleed, vent, or drain valves. One-quarter turn with a wrench from finger-tight obtains leak tightclosure on first makeup. Snugging with a wrench ensures closure to the rated pressure with subsequent makeups.

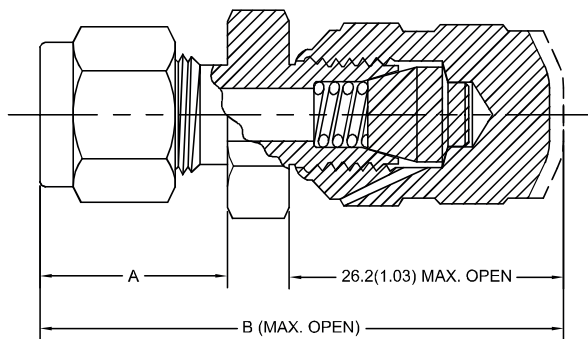
## Features

- Pressure rating up to 4,000psig(275bar) for 316 stainless steel and up to 3,000 psig (206bar) for Carbon Steel and Brass at 100°F(38°C).
- Temperature rating from -65°F to 600°F(-54°C to 315°C) with Stainless Steel, from -65°F to 400°F(-54°C to 204°C) with carbon steel, from -20°F to 350°F(-29°C to 177°C) with brass.
- Knurled cap is crimped to valve body to prevent an accidental removal of the body.
- Variety of end connections including S-LOK tube fittings, male/female NPT and ISO, SAE threads.
- Vent hole is bleeds excessive liquid or gas from system lines.
- Crimped cap resists accidental disassembly.
- A variety of body styles offers system design flexibility, reduced space requirements, and helps to eliminate leak paths.
- 100% factory tested.



## Materials of construction

Description	Body Materials		
	Grade / ASTM Specification		
	316 SS	Carbon Steel*	Brass
Body*			
Knurled Cap	316 / A479	Carbon Steel	Brass
Poppet	316 SS		
Spring	302 SS		



## Option

- PTFE Poppet
- PTFE poppet provides leak tight shut - off with finger.
- Pressure rating up to 200 psig (13.7bar) at 100°F (37°C)
- Temperature rating up to 300°F (176°C)
- To order, add designator - P as a suffix to the basic part number.
- Example : DV H - 8T - P

## Dimensions table

Basic Part Number	Inlet End Connection	Dimensions			
		A		B	
		in.	mm	in.	mm
F -2N	1/8 Female NPT	0.53	13.5	1.56	39.6
F -4N	1/4 Female NPT	0.72	18.3	1.75	44.4
F -6N	3/8 Female NPT	0.78	19.8	1.81	46.0
F -8N	1/2 Female NPT	0.97	24.6	1.98	50.3
M -2N	1/8 Male NPT	0.38	9.7	1.62	41.1
M -4N	1/4 Male NPT	0.56	14.2	1.81	46.0
M -6N	3/8 Male NPT	0.56	14.2	1.84	46.7
M -8N	1/2 Male NPT	0.75	19.1	2.09	53.1
M -4U	1/4in., 7/16-20	0.38	9.7	1.69	42.9
M -8U	1/2in., 3/4-16	0.44	11.2	1.81	46.0
H -2T	1/8 PMT	0.59	15.24	1.84	46.7
H -4T	1/4 PMT	0.69	17.78	1.94	49.3
H -6T	3/8 PMT	0.75	19.3	2.03	51.6
H -8T	1/2 PMT	0.88	21.84	2.19	55.6
H -6M	6mm PMT	0.69	17.7	1.94	49.3
H -8M	8mm PMT	0.72	18.6	2.0	50.8
T -4T	1/4 Tube Stub	0.63	16.0	1.87	47.5
T -6T	3/8 Tube Stub	0.69	17.5	1.94	49.3
T -8T	1/2 Tube Stub	0.91	23.1	2.15	54.6

## How to Order

Use S316 for 316 stainless steel or STEL for carbon steel, BRAS for brass as a suffix to the basic part number.

Example : PV H - 4T - S316



# **DS-LOK**

INSTRUMENTATION VALVES AND FITTINGS



## **Valves**

- Needle Valves
- Manifold Valves
- In Line Check Valve
- Proportional Relief Valves
- Instrument Ball Valves
- Mono Flange Valves
- Integral Block & Bleed Valves
- Bleed & Purge Valves
- Thermowells
- Pressure gauge Accessories

## **Fittings**

- Tube Fittings
- Pipe Fittings
- High Pressure- Pipe Fittings
- Hydraulic Fittings  
(DIN 2353, JIC Fittings, ORFS Fittings)

## **Forged Steel Valves**

- Forged Steel Globe Valves (Cryogenic Available)
- Forged Steel Gate Valves (Cryogenic Available)
- Forged Steel Lift check Valves
- Forged Steel Ball Valves (Cryogenic Available)