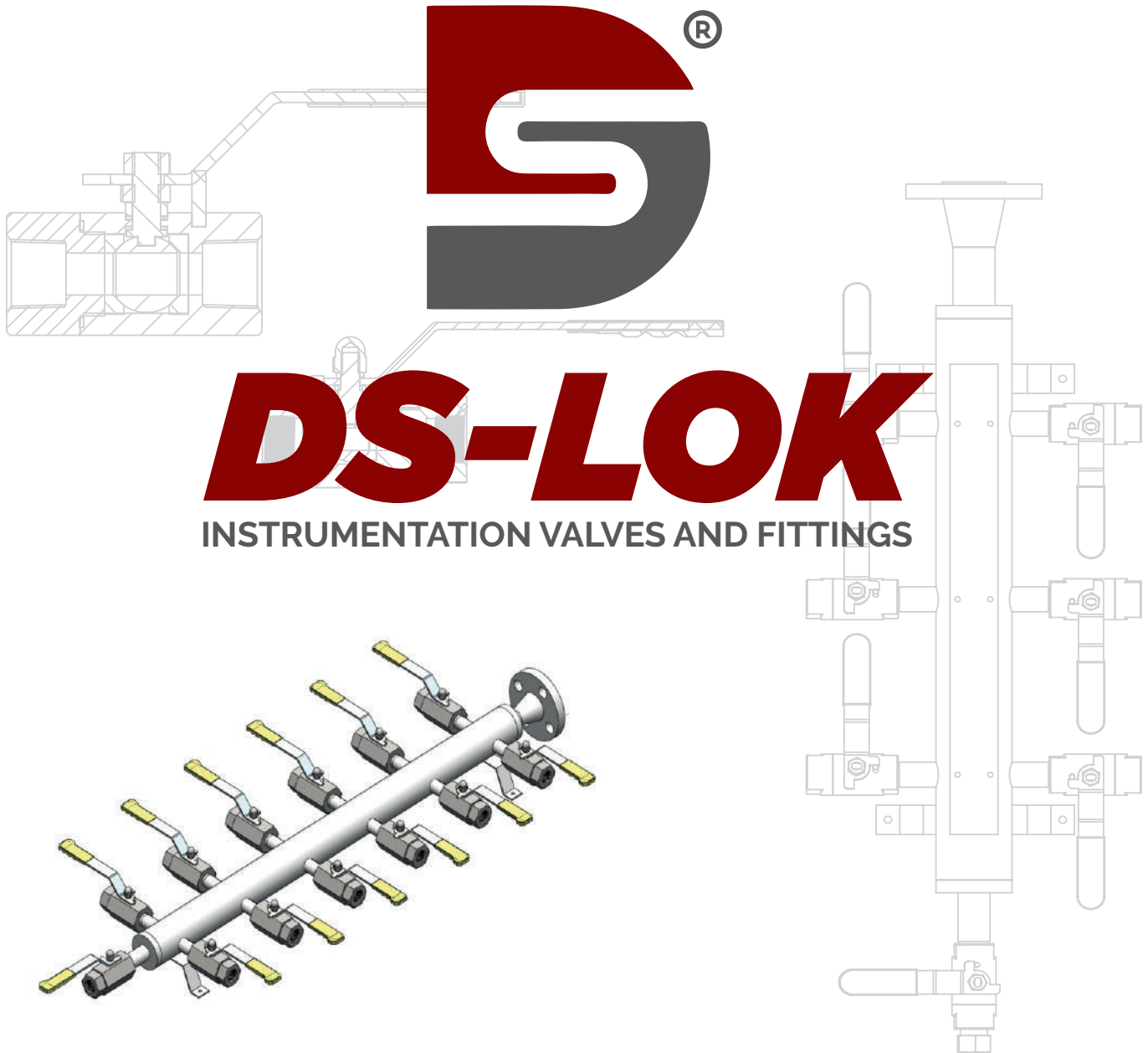




Decide with Confidence
DUNS NO. : 86-917-7745



Instrumentation-Products
AIR -HEADERS

AIR-HEADERS

The DS-LOK Group Leading Manufacturers of Instrumentation valves and manifolds. DS-LOK offer a large variety of air-headers needed for instrumentations installation globally

Air Headers are used to supply several users with instrument air. Besides multiple types of standard styles we also supply the Air Headers in accordance with specific customer demands.

Selection can be made from a comprehensive range of pipe styles with a variety of connections and material options, optimising installation and access opportunities. Some of the Air Headers shown in this catalogue are available from stock or within a short period of time. The dimensions shown in this catalogue apply to standard types. If you need the dimensions for your individual type please contact the factory.

Continuous product development may from time to time necessitate changes in the details contained in this catalogue. make such changes at their discretion and without prior notice.

All dimensions shown in this catalogue are approximate and subject to change.

Standard Features

- Distribution Pipe:
 - 2" Pipe
- Lever Operated Ball Valves with Locking Device
- Inlet:
 - Flange according to ASME or EN
 - Threaded
- Outlet Ports:
 - Ball Valves
 - Needle Valves
 - Tube Fittings
 - Threaded
- Material
 - Stainless Steel

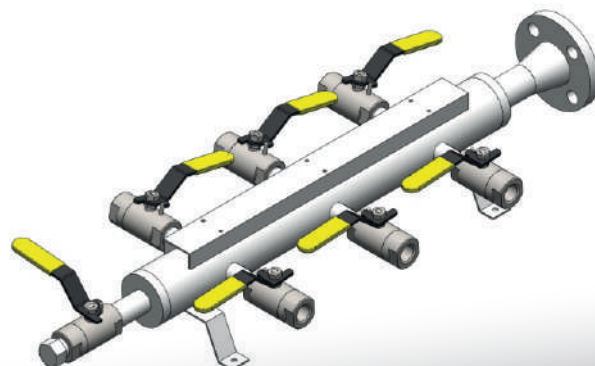
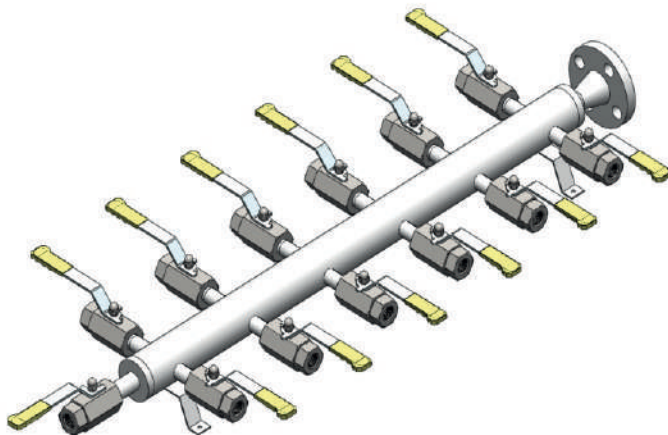
Optional Features

- Mounting Bracket
- Certificates according to EN 10204

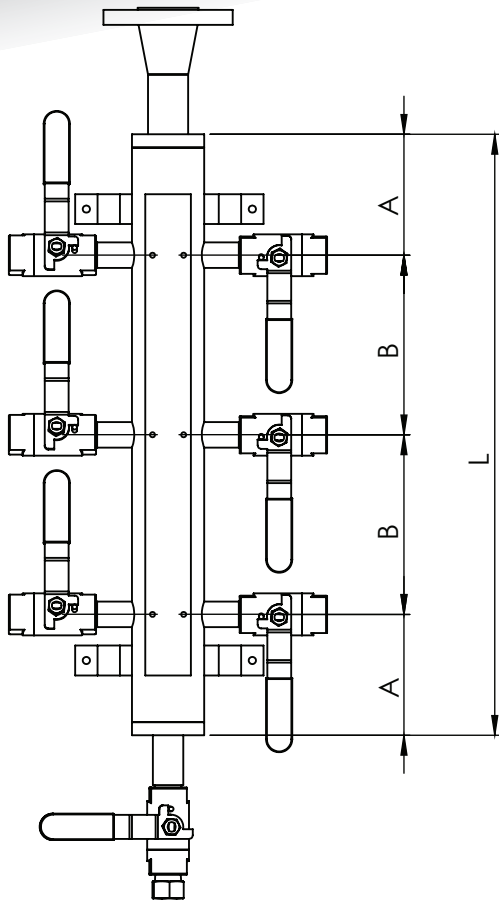
Pressure-Temperature Rating:

Max. allowable (Working) Pressure (PS): 40 bar (580 psi)

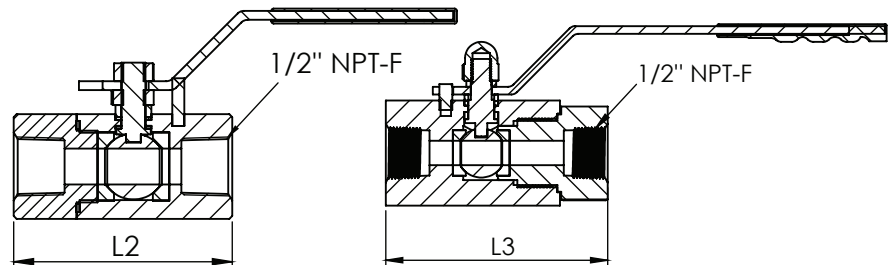
Max. allowable Temperature (TS): 50°C (122°F)



Technical Detail

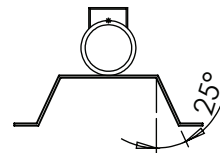


BV-ASSEMBLY



MOUNTING ASSEMBLY

OPTIONAL ONLY

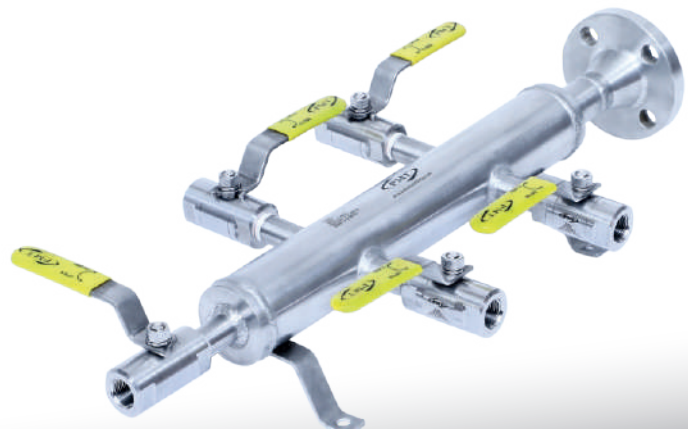


APPLICATION STANDARDS

Design manufacture standard conform to api 602,bs5351
 Connection and conform to screwed ends npt-ansi b1.20.1
 Test and inspection conform to api 592
 Material conform to aisi
 Main material ss316

BV-DESIGN DESCRIPTION

Two piece design hexbody
 Ball is high chromed which provide less friction to operate the valve
 Ball seat;ptfe
 Body seat ;ptfe
 Gland packing ;ptfe
 Handle powder coated
 Pessure rating ;10000 psi



Ordering Information

		1	2	3	4	5	6	7	8	9	10	11	12	13	14	15
		L	2	0	6		N	G	A		A	0	4	4	P	
Air Headers																
Size																
2	2" Pipe															
		Approx. Length (L)														
		Number of Outlet Ports														
		Dim. A 80 mm														
		Dim. A 120 mm														
06	6 Outlets (3 on each side)	400 mm														
08	8 Outlets (4 on each side)	470 mm														
10	10 Outlets (5 on each side)	570 mm														
12	12 Outlets (6 on each side)	650 mm														
36	6 Outlets (3 on each side, offset)	500 mm														
42	12 Outlets (6 on each side, offset)	740 mm														
Inlet																
NGA	Flange 1" Class 150 RF	JN6	3/4 NPT Male													
NGB	Flange 1" Class 300 RF	JN8	1 NPT Male													
QLD	Flange EN1092-1 DN25 PN40 B1	LN6	3/4 NPT Female													
JJ6	G 3/4 Male (BSP Parallel)	LN8	1 NPT Female													
JR8	R 1 Male (BSP Tapered)															
LP6	Rp 3/4 Female (BSP Parallel)															
LP8	Rp 1 Female (BSP Parallel)															
		Outlet Port														
		Dimension A														
A04	Ball Valve 1/2 NPT Female, Butterfly Handle	80 mm														
A02	Ball Valve 1/4 NPT Female, Butterfly Handle	80 mm														
B04	Ball Valve 1/2 NPT Female, Lever Operated	120 mm														
B02	Ball Valve 1/4 NPT Female, Lever Operated	120 mm														
ATD	Ball Valve, Butterfly Handle with Single Ferrule Tube Fitting Size 12S	80 mm														
BTD	Ball Valve, Lever Operated with Single Ferrule Tube Fitting Size 12S	120 mm														
AKD	Ball Valve, Butterfly Handle with Twin Ferrule Tube Fitting 12 mm	80 mm														
AKM	Ball Valve, Butterfly Handle with Twin Ferrule Tube Fitting 1/2"	80 mm														
BKD	Ball Valve, Lever Operated with Twin Ferrule Tube Fitting 12 mm	120 mm														
BKM	Ball Valve, Lever Operated with Twin Ferrule Tube Fitting 1/2"	120 mm														
004	1/2 NPT Male	80 mm														
002	1/4 NPT Male	80 mm														
Drain Connection																
4	Valve Type as above, 1/2 NPT plugged															
2	Valve Type as above, 1/4 NPT plugged															
J	1/2 NPT Male															
H	1/4 NPT Male															
Material																
P	Stainless Steel															
Options – Specify in alphabetical order (digits first, then letters)																
P	Mounting Bracket for 2" Pipe c/w 'U' Bolt															
W	Mounting Bracket for Wall Mounting															



DS-LOK

INSTRUMENTATION VALVES AND FITTINGS



Valves

- Needle Valves
- Manifold Valves
- In Line Check Valve
- Proportional Relief Valves
- Instrument Ball Valves
- Mono Flange Valves
- Integral Block & Bleed Valves
- Bleed & Purge Valves
- Thermowells
- Pressure gauge Accessories

Fittings

- Tube Fittings
- Pipe Fittings
- High Pressure- Pipe Fittings
- Hydraulic Fittings
(DIN 2353, JIC Fittings, ORFS Fittings)

Forged Steel Valves

- Forged Steel Globe Valves (Cryogenic Available)
- Forged Steel Gate Valves (Cryogenic Available)
- Forged Steel Lift check Valves
- Forged Steel Ball Valves (Cryogenic Available)